

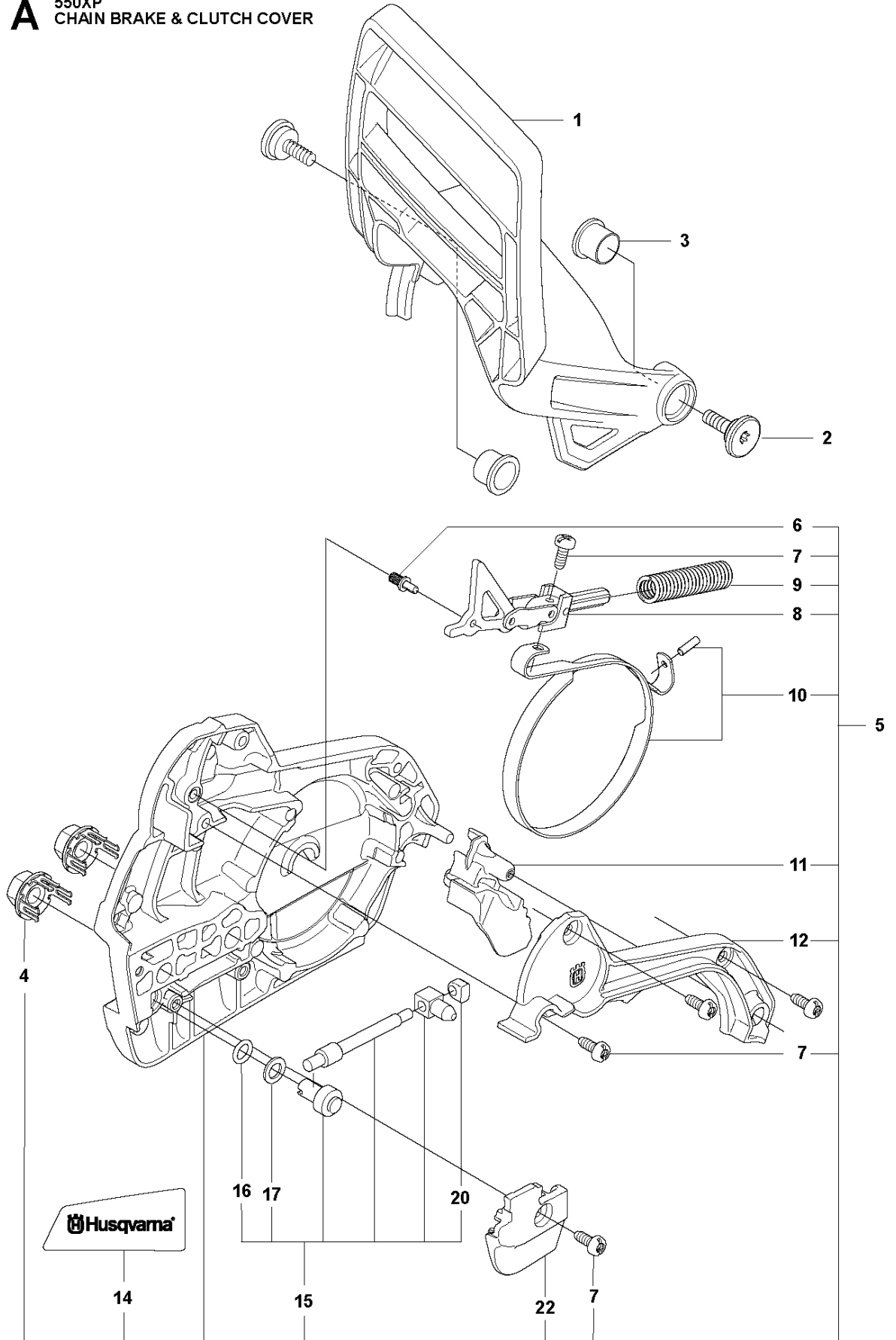


# SPARE PARTS LIST

CHAIN SAWS

550 XP/XPG

**A** 550XP  
CHAIN BRAKE & CLUTCH COVER

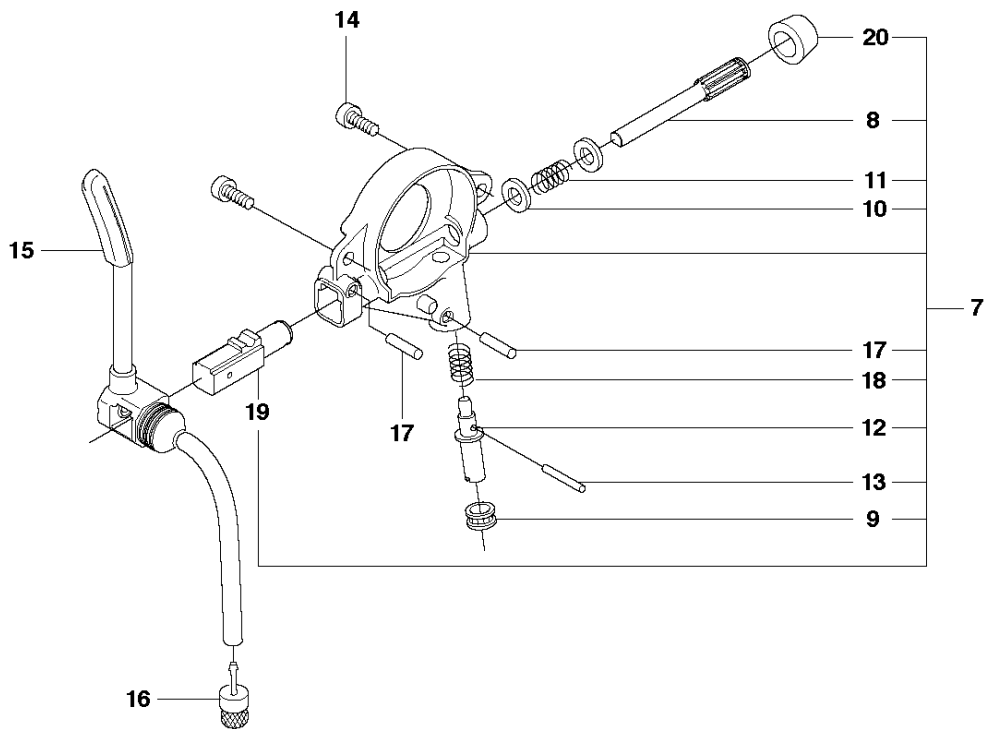
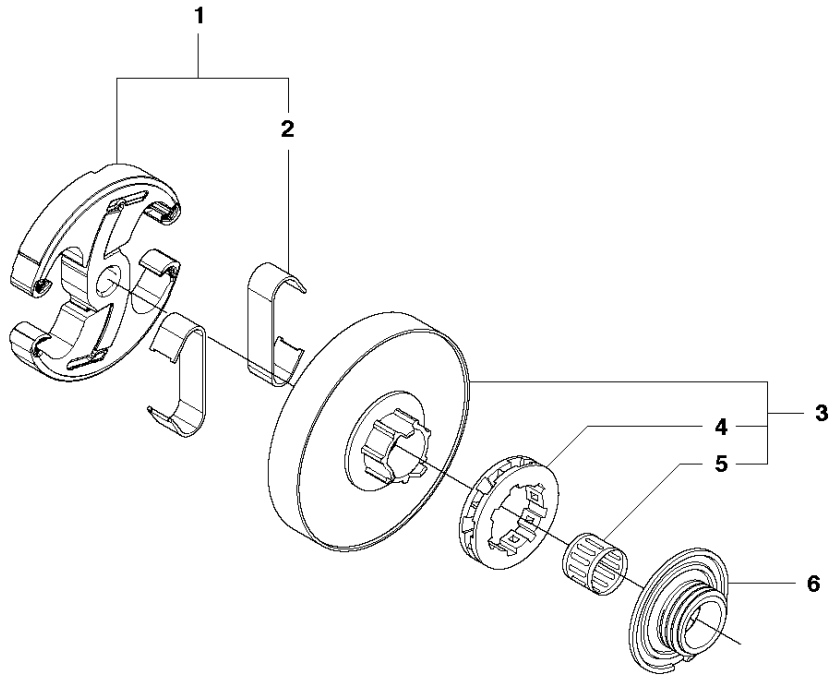


## CHAIN BRAKE &amp; CLUTCH COVER

550 XP/XPG

| Ref | Part No      | Description         | Remark | QTY KIT |       |
|-----|--------------|---------------------|--------|---------|-------|
| 1   | 522 67 75-01 | HAND GUARD          |        | 1       |       |
| 2   | 526 83 45-01 | SCREW               |        | 2       |       |
| 3   | 577 78 02-01 | BUSHING             |        | 2       |       |
| 4   | 505 19 73-01 | NUT                 |        | 2       |       |
| 5   | 505 19 90-05 | CLUTCH COVER ASSY   |        | 1       |       |
| 6   | 503 75 18-01 | PIN                 |        | 1       | 5     |
| 7   | 526 22 18-01 | SCREW CITXPANT      |        | 5       | 5     |
| 8   | 505 19 93-01 | KNEE JOINT ASSY     |        | 1       | 5     |
| 9   | 503 90 83-01 | BRAKE SPRING        |        | 1       | 5     |
| 10  | 505 19 95-02 | BRAKE BAND ASSY     |        | 1       | 5     |
| 11  | 505 20 16-01 | GUARD               |        | 1       | 5     |
| 12  | 505 19 97-01 | COVER               |        | 1       | 5     |
| 14  | 523 05 80-01 | LABEL               |        | 1       | 5     |
| 15  | 575 26 04-03 | CHAIN TENSIONER KIT |        | 1       | 5     |
| 16  | 740 48 07-02 | O-RING              |        | 1       | 15, 5 |
| 17  | 503 23 00-63 | WASHER              |        | 1       | 15, 5 |
| 20  | 537 01 74-01 | BEARING SLEEVE      |        | 1       | 15, 5 |
| 22  | 505 19 98-01 | CHAIN GUIDE         |        | 1       | 5     |

**B** 550XP  
CLUTCH & OIL PUMP

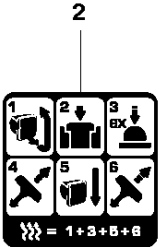
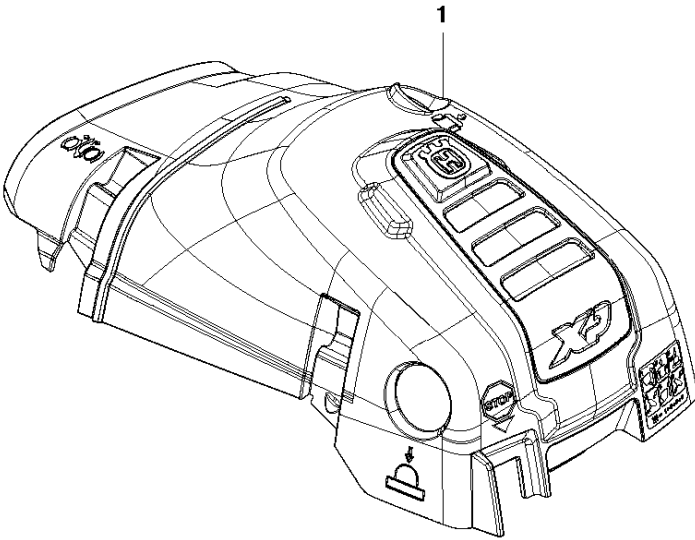


## CLUTCH &amp; OIL PUMP

550 XP/XPG

| Ref | Part No      | Description      | Remark     | QTY | KIT |
|-----|--------------|------------------|------------|-----|-----|
| 1   | 577 51 82-01 | CLUTCH ASSY      |            | 1   |     |
| 2   | 537 35 91-01 | CLUTCH SPRING    |            | 2   | 1   |
| 3   | 575 26 10-05 | CLUTCH DRUM ASSY | ".325""x7" | 1   |     |
| 4   | 501 45 74-02 | RIM              | ".325""x7" | 1   | 3   |
| 5   | 503 25 34-01 | NEEDLE BEARING   |            | 1   | 3   |
| 6   | 505 20 08-01 | WORM WHEEL       |            | 1   |     |
| 7   | 505 19 99-04 | OIL PUMP ASSY    |            | 1   |     |
| 8   | 505 20 02-01 | PUMP PISTON      |            | 1   | 7   |
| 9   | 505 20 03-01 | CASING           |            | 1   | 7   |
| 10  | 503 23 00-60 | WASHER           |            | 2   | 7   |
| 11  | 503 89 16-01 | SPRING           |            | 1   | 7   |
| 12  | 505 15 70-01 | ADJUSTMENT SCREW |            | 1   | 7   |
| 13  | 721 11 64-30 | GROOVED PIN      |            | 1   | 7   |
| 14  | 526 81 81-01 | SCREW ITXSCM     |            | 2   |     |
| 15  | 505 20 04-01 | OIL HOSE         |            | 1   |     |
| 16  | 504 71 00-03 | OIL PLUMMET      |            | 1   |     |
| 17  | 720 12 33-00 | PARALLEL PIN     |            | 2   | 7   |
| 18  | 503 89 15-01 | SPRING           |            | 1   | 7   |
| 19  | 505 20 01-01 | PUMP CYLINDER    |            | 1   | 7   |
| 20  | 503 62 49-01 | SEALING PLUG     |            | 1   | 7   |

**C** 550XP  
CYLINDER COVER

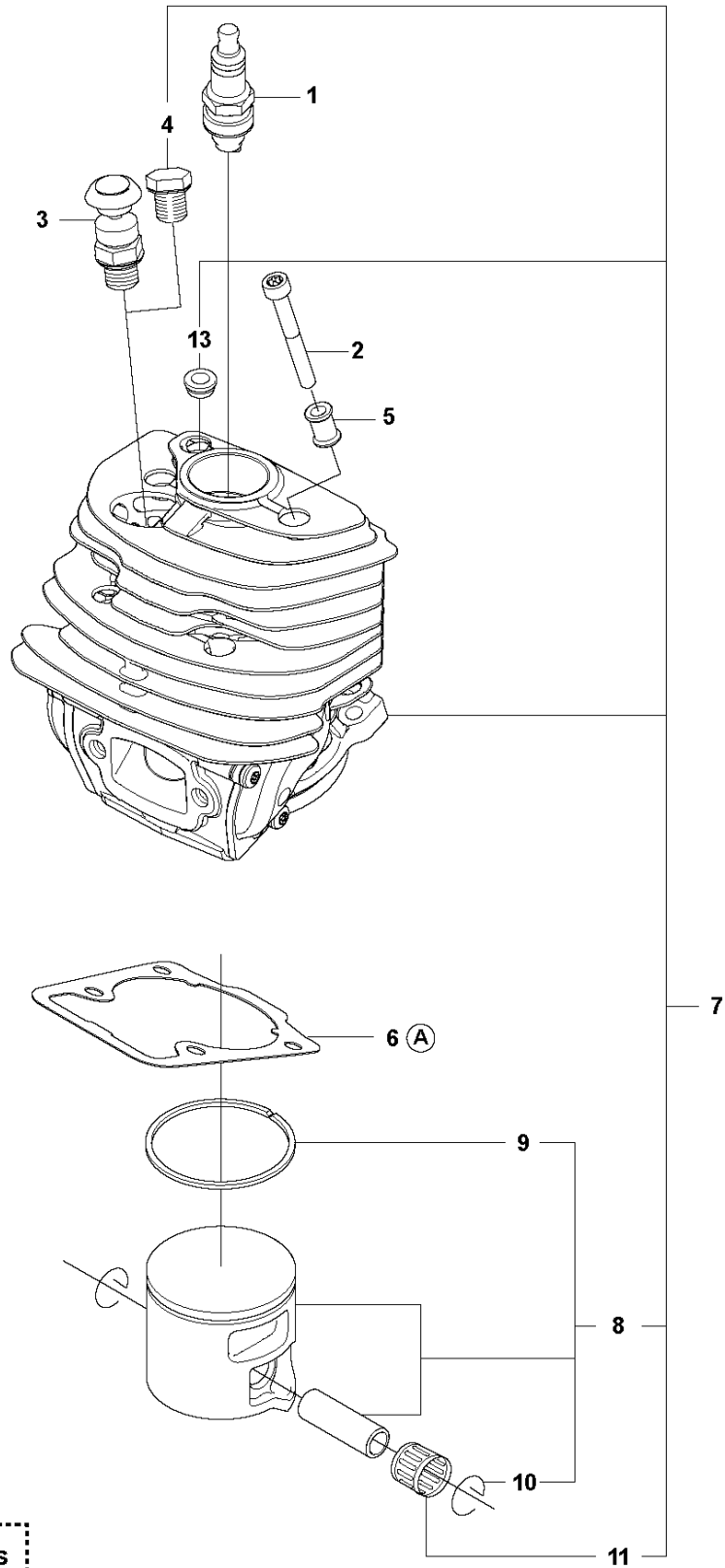


CYLINDER COVER

550 XP/XPG

| Ref | Part No      | Description         | Remark | QTY | KIT |
|-----|--------------|---------------------|--------|-----|-----|
| 1   | 587 24 86-03 | CYLINDER COVER ASSY |        | 1   |     |
| 2   | 587 14 95-01 | LABEL               |        | 1   | 1   |

**D** 550XP  
CYLINDER PISTON



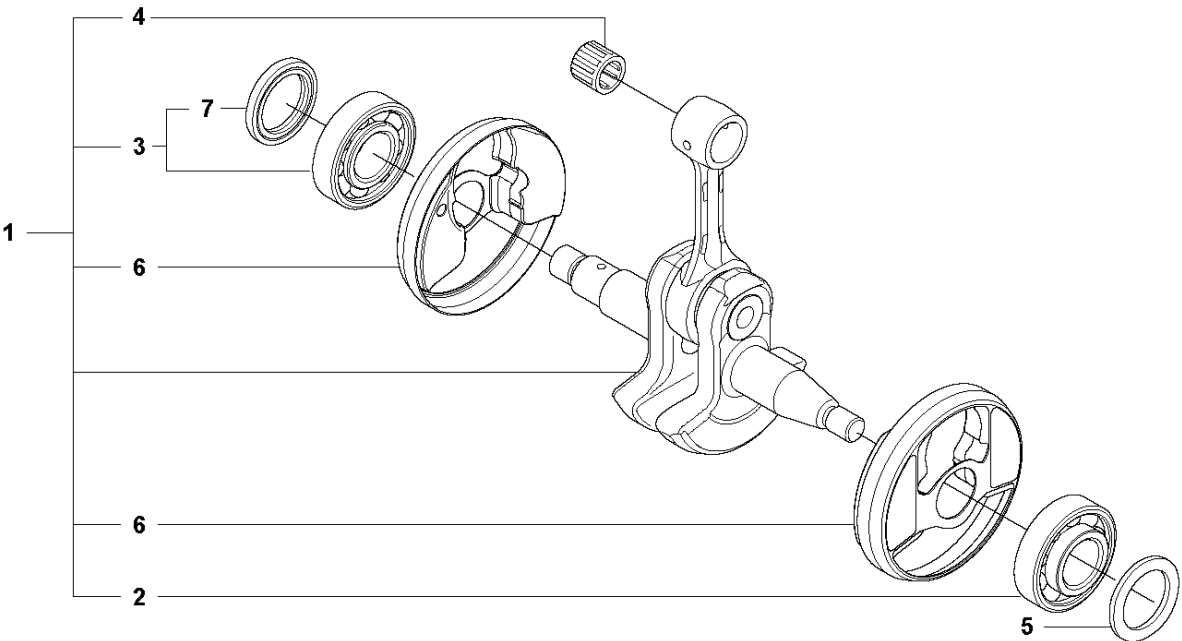


## CYLINDER PISTON

550 XP/XPG

| Ref | Part No      | Description         | Remark                                   | QTY | KIT  |
|-----|--------------|---------------------|--|-----|------|
| 1   | 574 51 96-01 | SPARK PLUG          |  | 1   |      |
| 2   | 582 39 27-01 | SCREW               |  | 4   |      |
| 3   | 575 27 69-01 | DECOMPRESSION VALVE |  | 1   |      |
| 4   | 503 55 22-01 | PLUG                |  | 1   |      |
| 5   | 576 71 76-02 | SLEEVE              |  | 4   |      |
| 6   | 525 31 58-01 | GASKET              |  | 1   | 12   |
| 7   | 577 76 47-07 | CYLINDER ASSY       |  | 1   |      |
| 8   | 577 04 70-08 | PISTON ASSY         |  | 1   | 7    |
| 9   | 577 95 83-01 | PISTON RING         |  | 1   | 8, 7 |
| 10  | 737 44 10-00 | SNAP RING           |  | 2   | 8, 7 |
| 11  | 503 25 63-02 | NEEDLE BEARING      |  | 1   | 7    |
| 12  | 577 76 66-03 | GASKET KIT          | A=Set of gaskets - Up to s/n 20181900169 | 1   |      |
| 12  | 577 76 66-04 | GASKET KIT          | A=Set of gaskets From s/n 20181900170    | 1   |      |
| 13  | 520 29 11-01 | BUSHING             |  |     | 7    |

**E** 550XP  
CRANKSHAFT

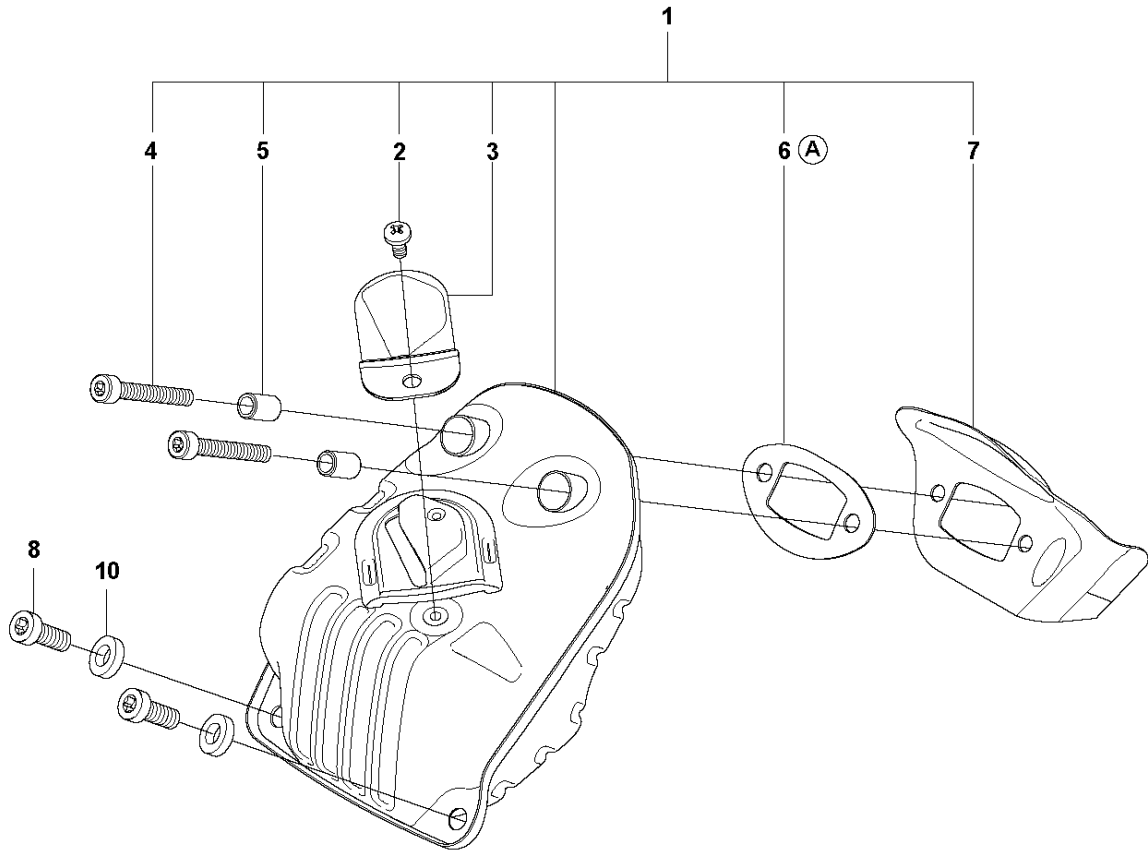


## CRANKSHAFT

550 XP/XPG

| Ref | Part No      | Description     | Remark | QTY KIT |      |
|-----|--------------|-----------------|--------|---------|------|
| 1   | 577 76 73-09 | CRANKSHAFT ASSY |        | 1       |      |
| 2   | 505 13 35-03 | BALL BEARING    |        | 1       | 1    |
| 3   | 525 43 42-03 | BALL BEARING    |        | 1       | 1    |
| 4   | 503 25 63-02 | NEEDLE BEARING  |        | 1       | 1    |
| 5   | 525 39 12-01 | RADIAL SEAL     |        | 1       |      |
| 6   | 522 73 77-01 | CUP             |        | 2       | 1    |
| 7   | 505 41 61-01 | RADIAL SEAL     |        | 1       | 1, 3 |

**F** 550XP  
MUFFLER



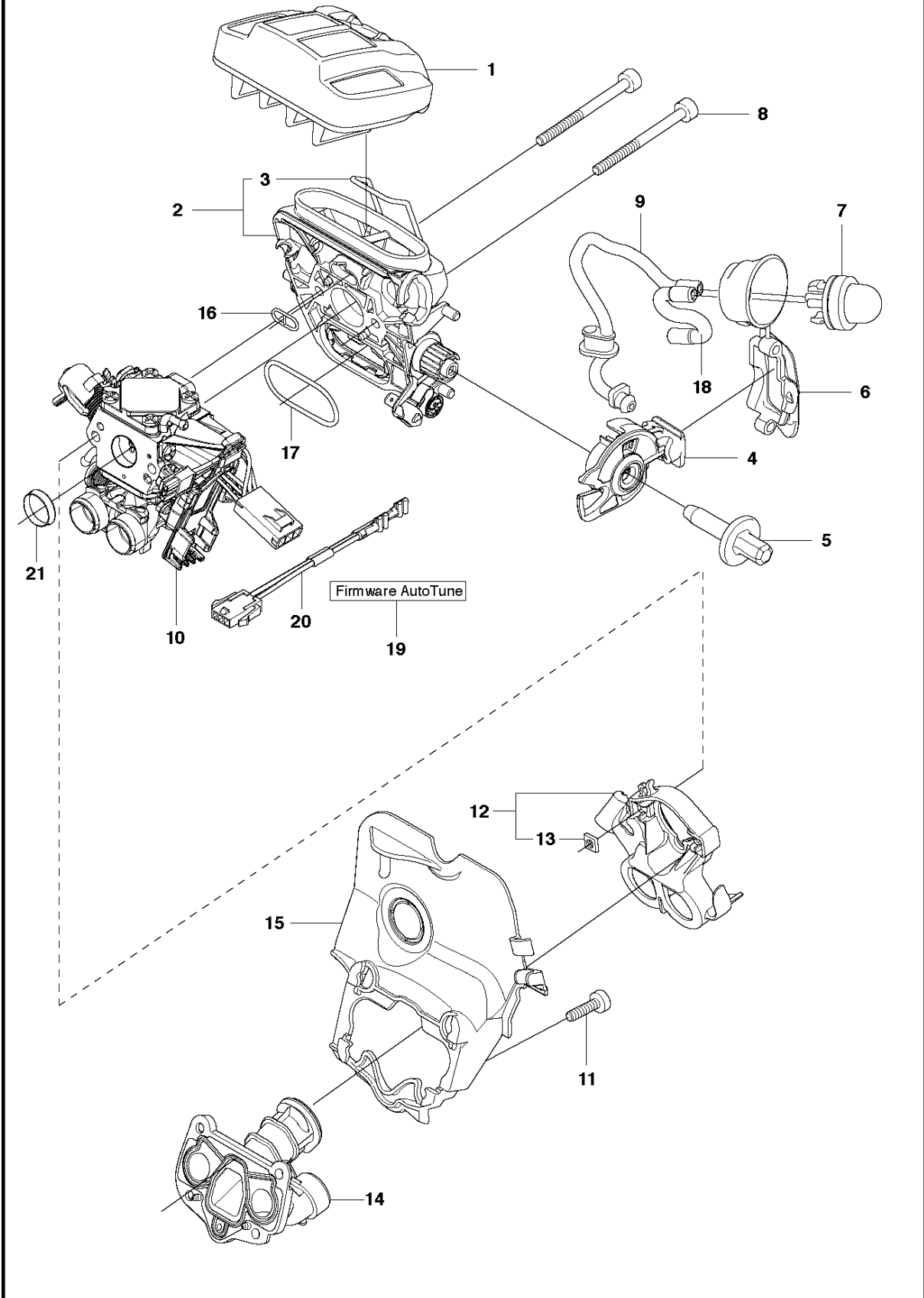
9  
Ⓐ Set of gaskets

## MUFFLER

550 XP/XPG

| Ref | Part No      | Description    | Remark                                      | QTY KIT |      |
|-----|--------------|----------------|---|---------|------|
| 1   | 523 05 26-04 | MUFFLER KIT    |   | 1       |      |
| 2   | 724 12 87-59 | SCREW CRPANM   |   | 1       | 1    |
| 3   | 576 89 02-01 | SPARK ARRESTER |   | 1       | 1    |
| 4   | 525 82 51-04 | SCREW ITXSCM   |   | 2       | 1    |
| 5   | 577 65 63-01 | SLEEVE         |   | 2       | 1    |
| 6   | 523 05 24-01 | GASKET         |   | 1       | 1, 9 |
| 7   | 523 05 25-01 | HEAT DEFLECTOR |   | 1       | 1    |
| 8   | 525 76 25-01 | SCREW ITXSCM   |   | 2       |      |
| 9   | 577 76 66-03 | GASKET KIT     | A=Set of gaskets - Up to<br>s/n 20181900169 | 1       |      |
| 9   | 577 76 66-04 | GASKET KIT     | A=Set of gaskets From s/n<br>20181900170    | 1       |      |
| 10  | 577 90 22-01 | WASHER         |   | 1       |      |

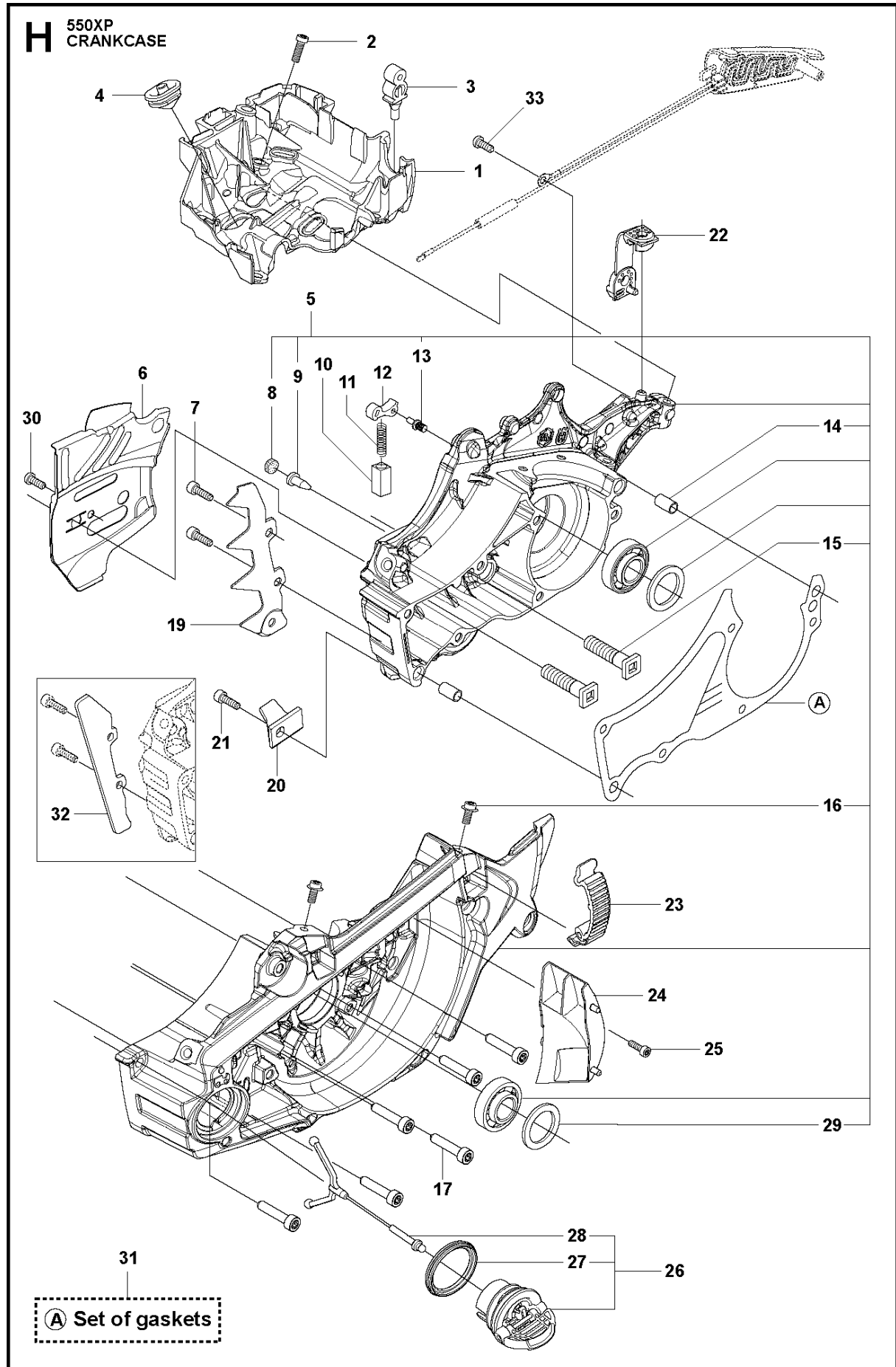
**G** 550XP  
CARBURETOR & AIR FILTER



## CARBURETOR &amp; AIR FILTER

550 XP/XPG

| Ref | Part No      | Description        | Remark                                  | QTY | KIT |
|-----|--------------|--------------------|---|-----|-----|
| 1   | 522 67 54-04 | AIR FILTER ASSY    | NYLON 80 µm black                       | 1   |     |
| 1   | 522 67 54-05 | AIR FILTER ASSY    | NYLON 44 µm yellow                      | 1   |     |
| 1   | 522 67 54-06 | AIR FILTER ASSY    | FELT white                              | 1   |     |
| 1   | 522 67 54-07 | AIR FILTER ASSY    | NYLON 25 µm orange                      | 1   |     |
| 2   | 574 19 89-03 | FILTER HOLDER ASSY | XP                                      | 1   |     |
| 2   | 574 19 89-04 | FILTER HOLDER ASSY | XPG                                     | 1   |     |
| 3   | 522 90 73-01 | SHACKLE            |   | 1   | 2   |
| 4   | 510 01 72-02 | CHOKE CONTROL ASSY |   | 1   |     |
| 5   | 505 15 62-01 | SCREW              |   | 1   |     |
| 6   | 525 58 81-01 | SEALING            |   | 1   |     |
| 7   | 503 93 66-01 | PURGE              |   | 1   |     |
| 8   | 574 35 35-03 | SCREW ITXSCM       |   | 2   |     |
| 9   | 587 64 54-04 | VENTILATING HOSE   | From s/n 20153900097                    | 1   | 9   |
| 9   | 589 35 71-01 | VENTILATING HOSE   | Up to s/n 20153900096                   | 1   |     |
| 10  | 587 08 48-06 | CARBURETTOR KIT    | AT-12                                   | 1   |     |
| 11  | 526 81 81-01 | SCREW ITXSCM       |   | 4   |     |
| 12  | 523 06 40-02 | FLANGE             |   | 1   |     |
| 13  | 503 22 65-03 | SQUARE NUT         |   | 2   | 12  |
| 14  | 525 50 00-03 | INLET PIPE ASSY    |   | 1   |     |
| 15  | 522 95 10-01 | INTERMEDIATE WALL  |   | 1   |     |
| 16  | 525 61 92-01 | SEALING            |   | 1   |     |
| 17  | 525 61 90-01 | SEALING            |   | 1   |     |
| 18  | 523 05 68-01 | FUEL HOSE          |   | 1   |     |
| 19  | .            | TBD                | Download from your local<br>supportsite | 1   |     |
| 20  | 577 53 64-01 | WIRING ASSY        |   | 1   |     |
| 21  | 585 19 50-01 | SUPPORT SLEEVE     |   | 1   | 10  |



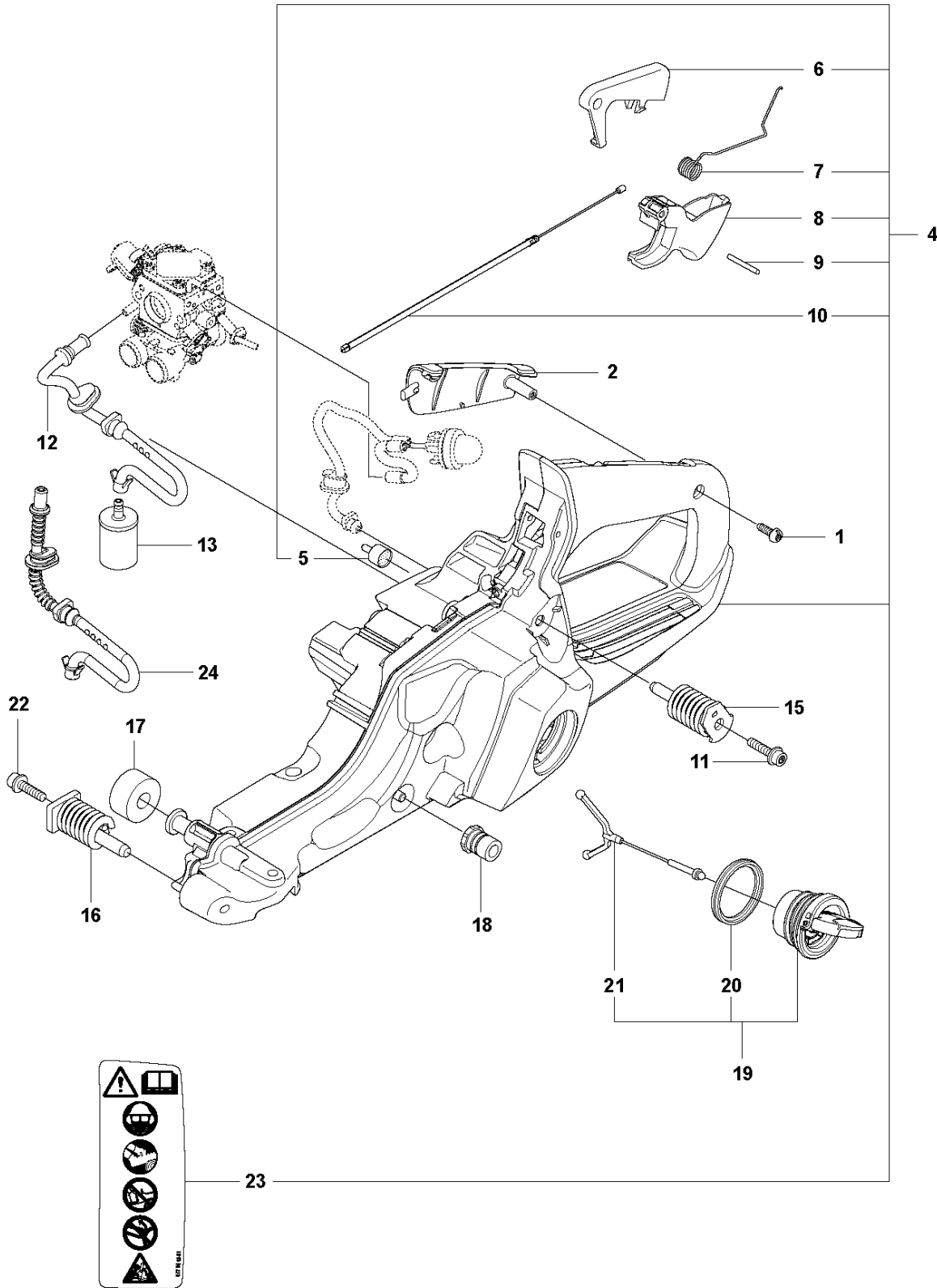


## CRANKCASE

550 XP/XPG

| Ref | Part No      | Description        | Remark                                   | QTY | KIT |
|-----|--------------|--------------------|--|-----|-----|
| 1   | 525 40 32-01 | CARBURETTOR        |  | 1   |     |
| 2   | 525 75 52-02 | SCREW ITXSCFM      |  | 4   |     |
| 3   | 503 86 93-01 | SUPPORT            |  | 2   |     |
| 4   | 581 55 92-01 | BELLOWS            |  | 1   |     |
| 5   | 577 83 47-13 | CRANKCASE ASSY     |  | 1   |     |
| 6   | 522 74 28-01 | CHAIN GUIDE PLATE  |  | 1   |     |
| 7   | 575 79 35-01 | SCREW ITXPANM      |  | 2   |     |
| 8   | 537 40 35-01 | FILTER             |  | 1   | 5   |
| 9   | 530 02 61-19 | CHECK VALVE        |  | 1   | 5   |
| 10  | 537 21 07-01 | SPRING GUIDE       |  | 1   |     |
| 11  | 503 43 65-01 | POSITION SPRING    |  | 1   |     |
| 12  | 505 20 12-01 | CATCH              |  | 1   |     |
| 13  | 503 75 18-01 | PIN                |  | 1   | 5   |
| 14  | 501 27 08-01 | GUIDE BUSHING      |  | 2   | 5   |
| 15  | 505 21 73-01 | BAR BOLT           |  | 2   | 5   |
| 16  | 525 82 44-01 | SCREW ITXSCM       |  | 2   | 5   |
| 17  | 575 84 11-04 | SCREW ITXSCM       |  | 6   |     |
| 19  | 578 40 05-01 | SPIKE              |  | 1   |     |
| 20  | 537 37 79-02 | CHAIN CATCHER      |  | 1   |     |
| 21  | 525 79 81-03 | SCREW ITXSCT       |  | 1   |     |
| 22  | 505 12 58-01 | DEFLECTION LIMITER |  | 1   |     |
| 23  | 503 89 47-03 | SNAP LOCKING       |  | 3   |     |
| 24  | 588 05 92-01 | AIR NOZZLE         |  | 1   |     |
| 25  | 526 81 81-01 | SCREW ITXSCM       |  | 1   |     |
| 26  | 577 87 86-03 | TANK CAP ASSY      |  | 1   |     |
| 27  | 589 24 13-01 | GASKET             |  | 1   | 26  |
| 28  | 503 57 89-01 | HOLDER             |  | 1   | 26  |
| 29  | 525 39 12-01 | RADIAL SEAL        |  | 1   | 5   |
| 30  | 525 88 74-01 | SCREW CITXPANT     |  | 1   |     |
| 31  | 577 76 66-03 | GASKET KIT         | A=Set of gaskets - Up to s/n 20181900169 | 1   |     |
| 31  | 577 76 66-04 | GASKET KIT         | A=Set of gaskets From s/n 20181900170    | 1   |     |
| 32  | 577 88 72-01 | ENCLOSED KIT       |  | 1   |     |
| 33  | 526 22 18-01 | SCREW CITXPANT     |  | 1   |     |

**J** 550XP  
FUEL TANK

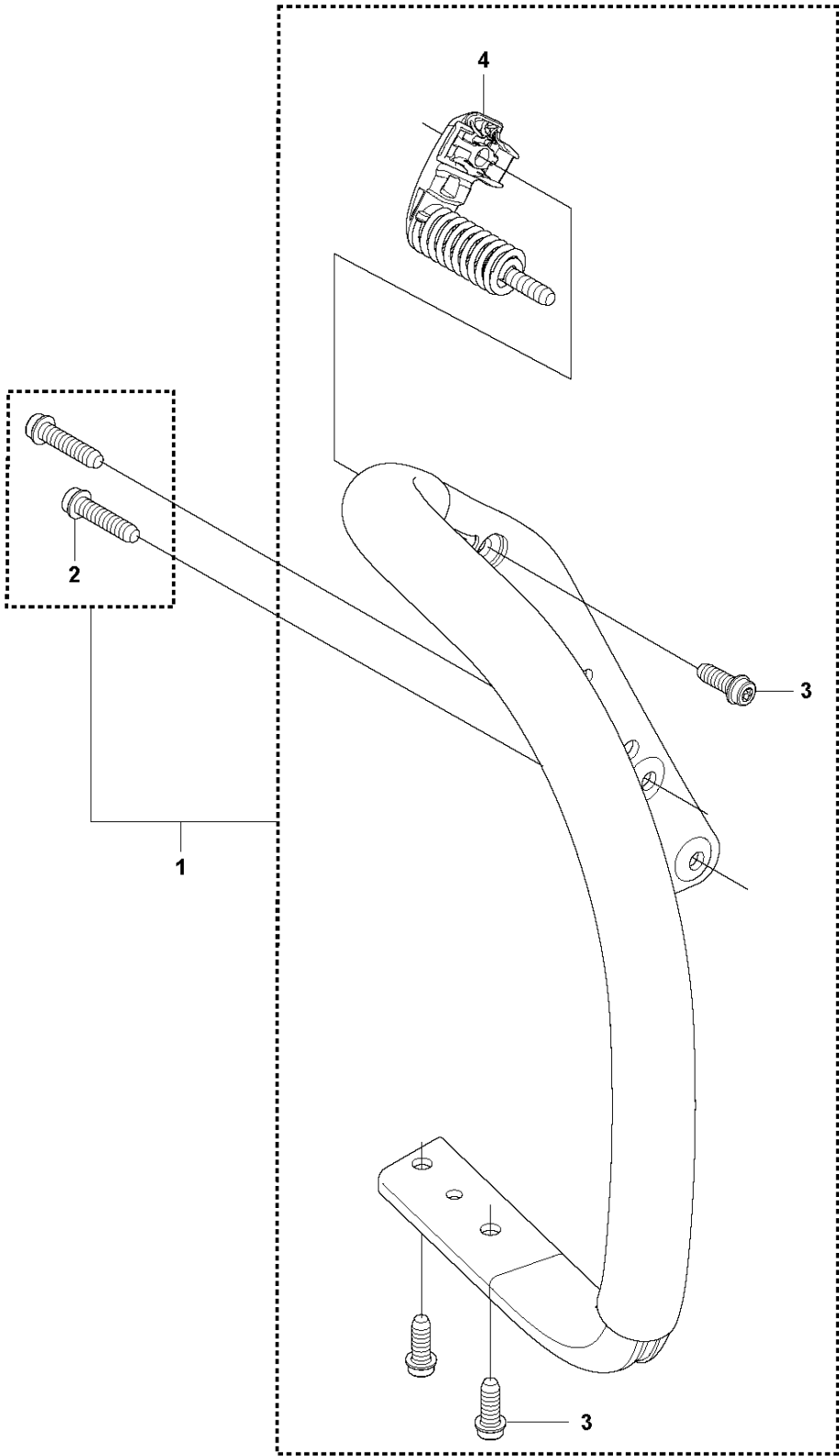


## FUEL TANK

550 XP/XPG

| Ref | Part No      | Description           | Remark      | QTY | KIT |
|-----|--------------|-----------------------|-------------|-----|-----|
| 1   | 525 88 74-01 | SCREW CITXPANT        |             | 1   |     |
| 2   | 504 10 63-01 | HANDLE INSERT         |             | 1   |     |
| 4   | 577 79 02-03 | FUEL TANK ASSY        |             | 1   |     |
| 5   | 501 15 29-01 | TANK VENT ASSY        |             | 1   | 4   |
| 6   | 544 09 98-01 | THROTTLE LOCKOUT      |             | 1   | 4   |
| 7   | 544 09 99-01 | SPRING                |             | 1   | 4   |
| 8   | 505 15 77-01 | THROTTLE              |             | 1   | 4   |
| 9   | 720 18 25-20 | PARALLEL PIN          |             | 1   | 4   |
| 10  | 579 48 24-01 | THROTTLE CABLE ASSY   |             | 1   | 4   |
| 11  | 525 79 81-02 | SCREW ITXSCFT         |             | 1   |     |
| 12  | 573 99 35-03 | FUEL HOSE             | Up to AT-7A | 1   |     |
| 13  | 503 44 32-01 | FUEL FILTER           |             | 1   |     |
| 15  | 578 22 74-03 | ANTIVIBRATION ELEMENT |             | 1   |     |
| 16  | 505 12 87-02 | ANTIVIBRATION ELEMENT |             | 1   |     |
| 17  | 523 08 55-01 | DEFLECTION LIMITER    |             | 1   |     |
| 18  | 501 00 76-01 | SUPPORT               |             | 1   |     |
| 19  | 522 62 00-03 | TANK CAP ASSY         |             | 1   |     |
| 20  | 589 24 11-01 | GASKET                |             | 1   | 19  |
| 21  | 503 57 89-01 | HOLDER                |             | 1   | 19  |
| 22  | 525 79 81-03 | SCREW ITXSCFT         |             | 1   |     |
| 23  | 577 84 43-01 | DECAL                 |             | 1   | 4   |
| 24  | 577 50 41-01 | FUEL HOSE             | From AT-12  | 1   |     |

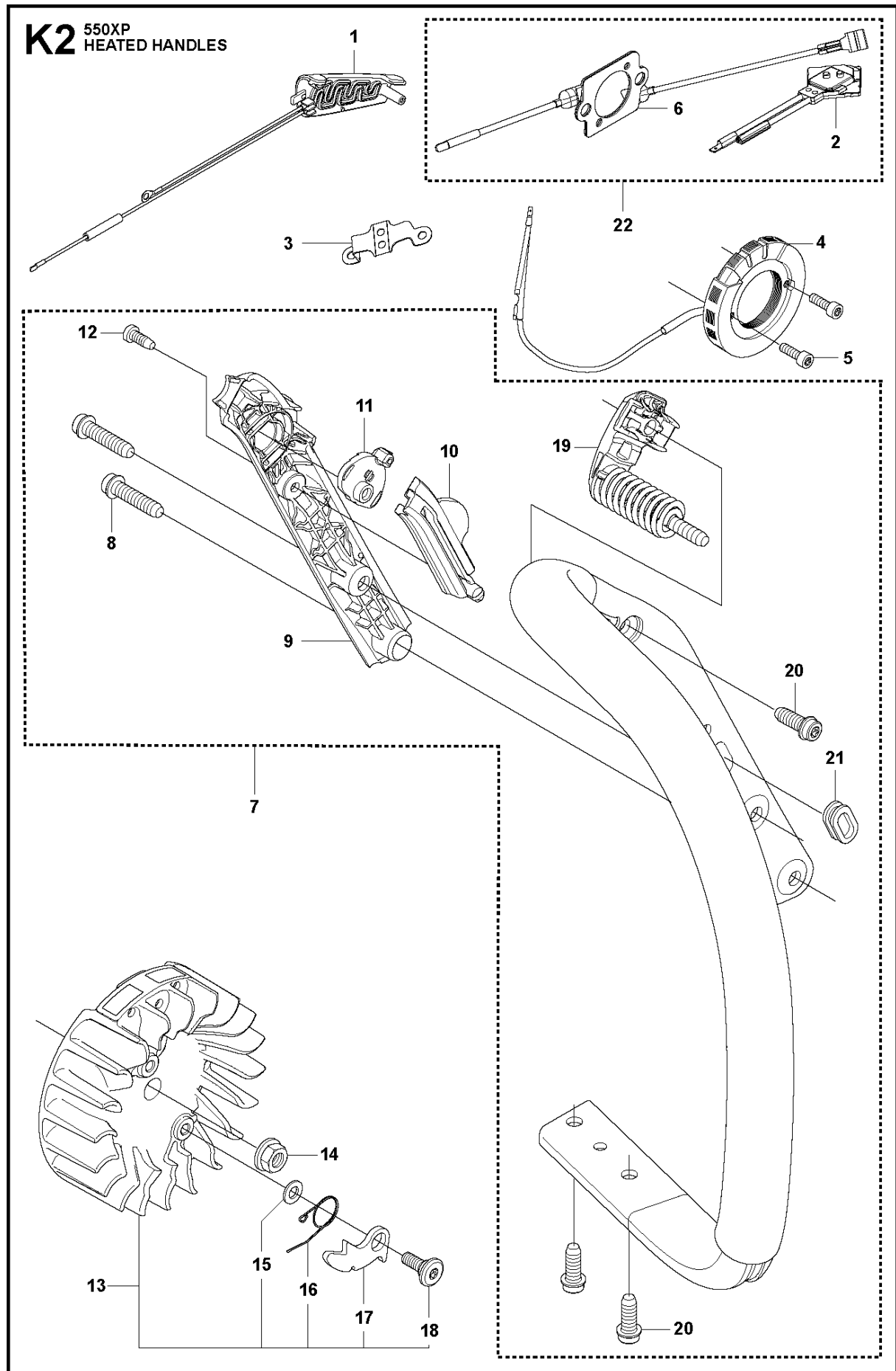
**K1** 550XP  
HANDLES



## HANDLE

550 XP/XPG

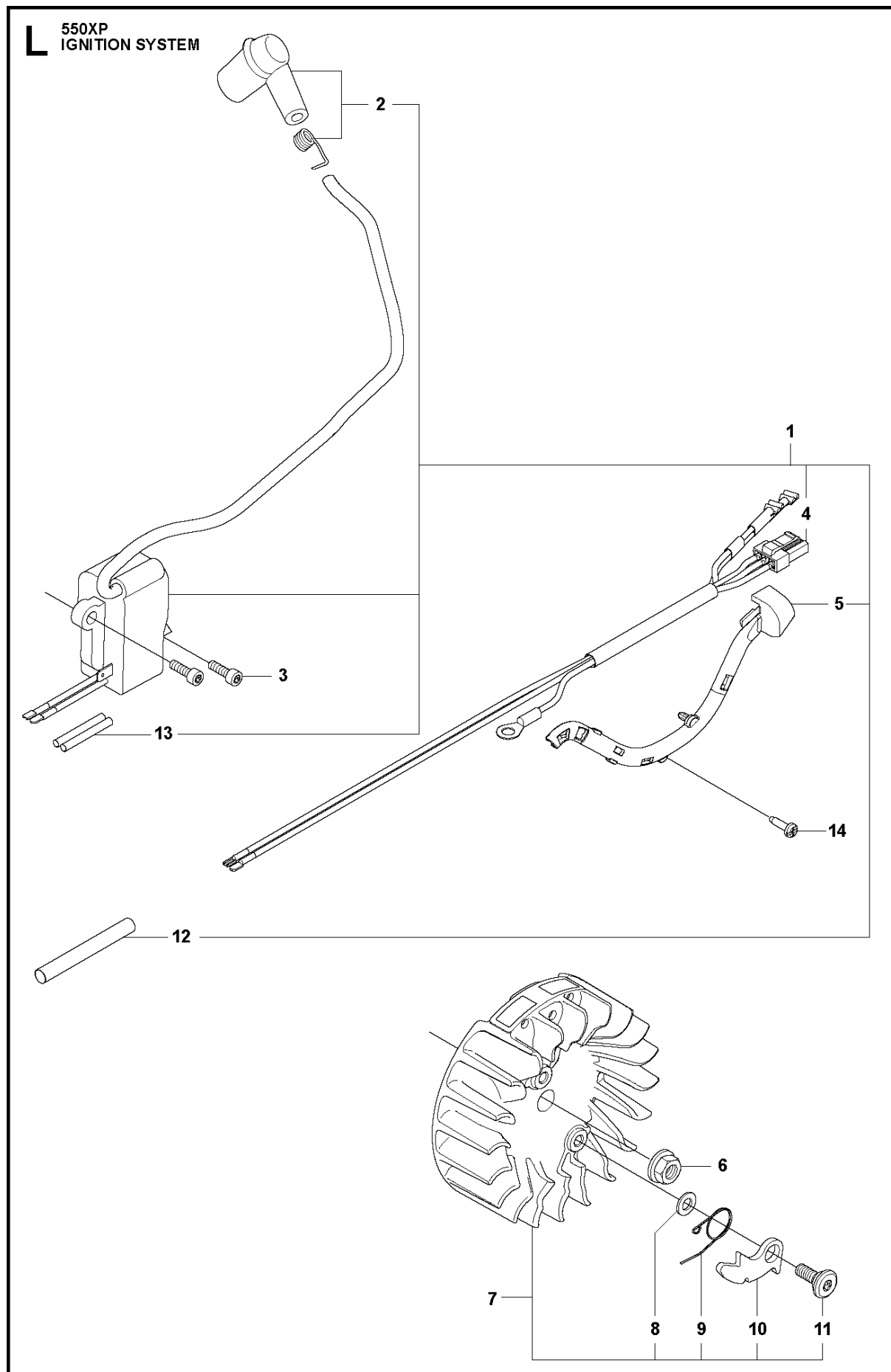
| Ref | Part No      | Description           | Remark | QTY | KIT |
|-----|--------------|-----------------------|--------|-----|-----|
| 1   | 577 79 82-03 | FRONT HANDLE          |        | 1   |     |
| 2   | 525 79 81-03 | SCREW ITXSCFT         |        | 2   | 1   |
| 3   | 525 79 81-01 | SCREW ITXSCFT         |        | 4   | 1   |
| 4   | 522 95 15-07 | ANTIVIBRATION ELEMENT |        | 1   | 1   |



## HANDLE HEATED

550 XP/XPG

| Ref | Part No      | Description           | Remark                | QTY | KIT |
|-----|--------------|-----------------------|-----------------------|-----|-----|
| 1   | 522 74 19-02 | HANDLE INSERT         |                       | 1   |     |
| 2   | 522 66 58-01 | THERMOSTAT ASSY       |                       | 1   | 22  |
| 3   | 537 21 08-01 | RETAINER              |                       | 1   |     |
| 4   | 522 61 14-02 | GENERATOR STATOR      |                       | 1   |     |
| 5   | 526 81 81-02 | SCREW ITXSCM          |                       | 2   |     |
| 6   | 588 16 86-02 | FOIL ELEMENT          |                       | 1   | 22  |
| 7   | 577 79 82-04 | FRONT HANDLE          |                       | 1   |     |
| 8   | 525 79 81-03 | SCREW ITXSCFT         |                       | 2   | 7   |
| 9   | 523 34 85-03 | COVER                 |                       | 1   | 7   |
| 10  | 523 34 84-01 | CONTACT PLATE         |                       | 1   | 7   |
| 11  | 537 25 25-01 | CONTACT PLATE         |                       | 1   | 7   |
| 12  | 525 88 74-01 | SCREW CITXPANT        |                       | 1   | 7   |
| 13  | 522 93 78-04 | FLYWHEEL ASSY         |                       | 1   |     |
| 14  | 503 22 04-01 | NUT                   |                       | 1   |     |
| 15  | 503 23 00-42 | WASHER                |                       | 2   | 13  |
| 16  | 501 67 35-01 | SPRING                |                       | 2   | 13  |
| 17  | 501 67 32-01 | PAWL                  |                       | 2   | 13  |
| 18  | 506 00 69-01 | SCREW                 |                       | 2   | 13  |
| 19  | 522 95 15-07 | ANTIVIBRATION ELEMENT |                       | 1   | 7   |
| 20  | 525 79 81-01 | SCREW ITXSCFT         |                       | 4   | 7   |
| 21  | 537 08 83-01 | GROMMET               |                       | 1   | 7   |
| 22  | 582 82 96-01 | THERMOSTAT ASSY       | Up to s/n 20164200001 | 1   |     |



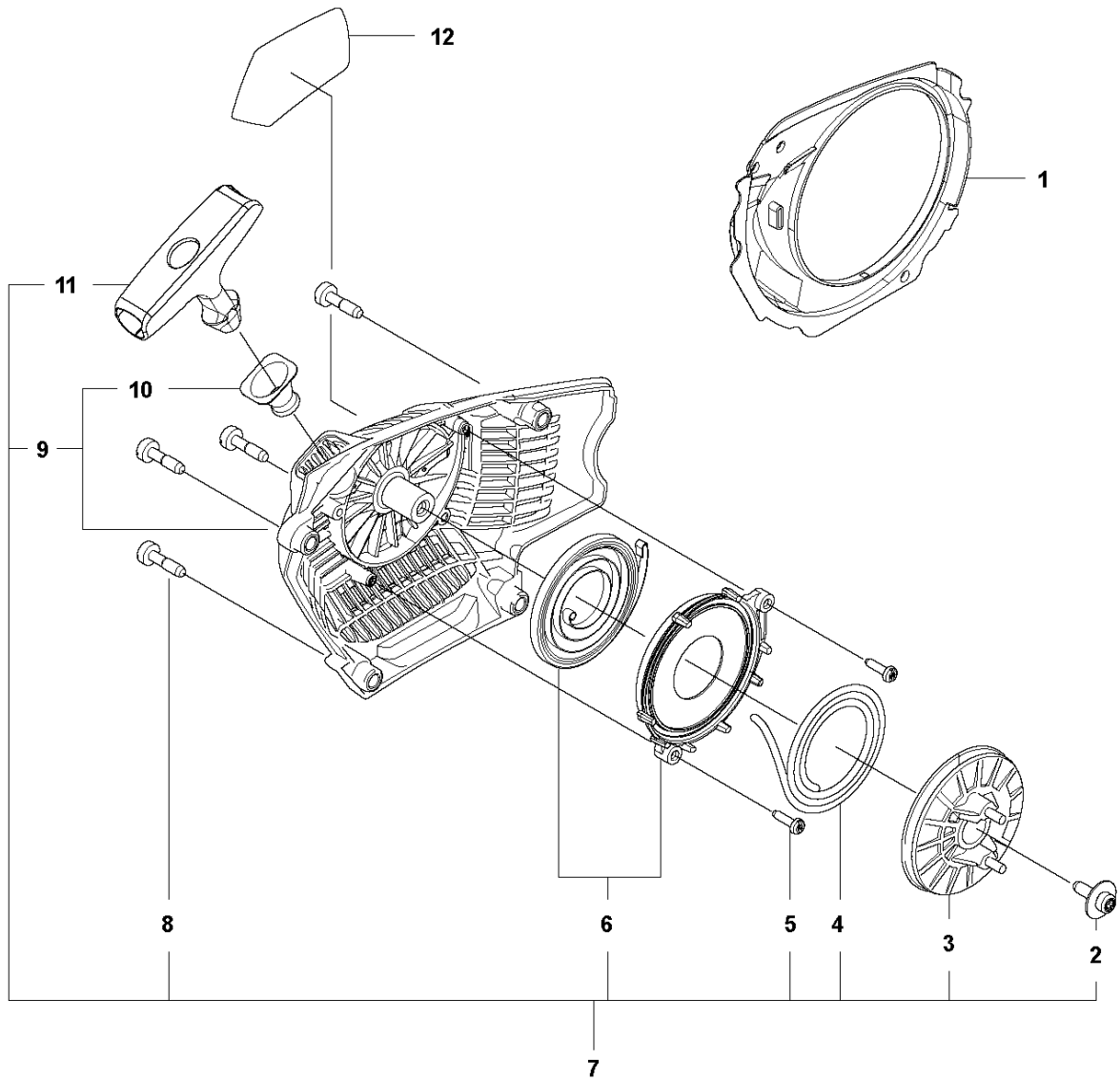


## IGNITION SYSTEM

550 XP/XPG

| Ref | Part No      | Description          | Remark | QTY | KIT |
|-----|--------------|----------------------|--------|-----|-----|
| 1   | 581 72 36-02 | IGNITION MODULE ASSY |        | 1   |     |
| 2   | 501 48 54-04 | SPARK PLUG CAP ASSY  |        | 1   | 1   |
| 3   | 525 75 52-03 | SCREW ITXSCFM        |        | 2   |     |
| 4   | 577 96 76-02 | WIRING ASSY          |        | 1   | 1   |
| 5   | 529 29 26-01 | CABLE HOLDER         |        | 1   | 1   |
| 6   | 503 22 04-01 | NUT                  |        | 1   |     |
| 7   | 522 93 78-03 | FLYWHEEL ASSY        |        | 1   |     |
| 8   | 503 23 00-42 | WASHER               |        | 2   | 7   |
| 9   | 501 67 35-01 | SPRING               |        | 2   | 7   |
| 10  | 501 67 32-01 | PAWL                 |        | 2   | 7   |
| 11  | 506 00 69-01 | SCREW                |        | 2   | 7   |
| 12  | 504 04 35-05 | CABLE COVER          |        | 1   | 1   |
| 13  | 503 23 85-01 | SHRINKAGE HOSE       |        | 2   | 1   |
| 14  | 525 88 74-01 | SCREW CITXPANT       |        | 1   |     |

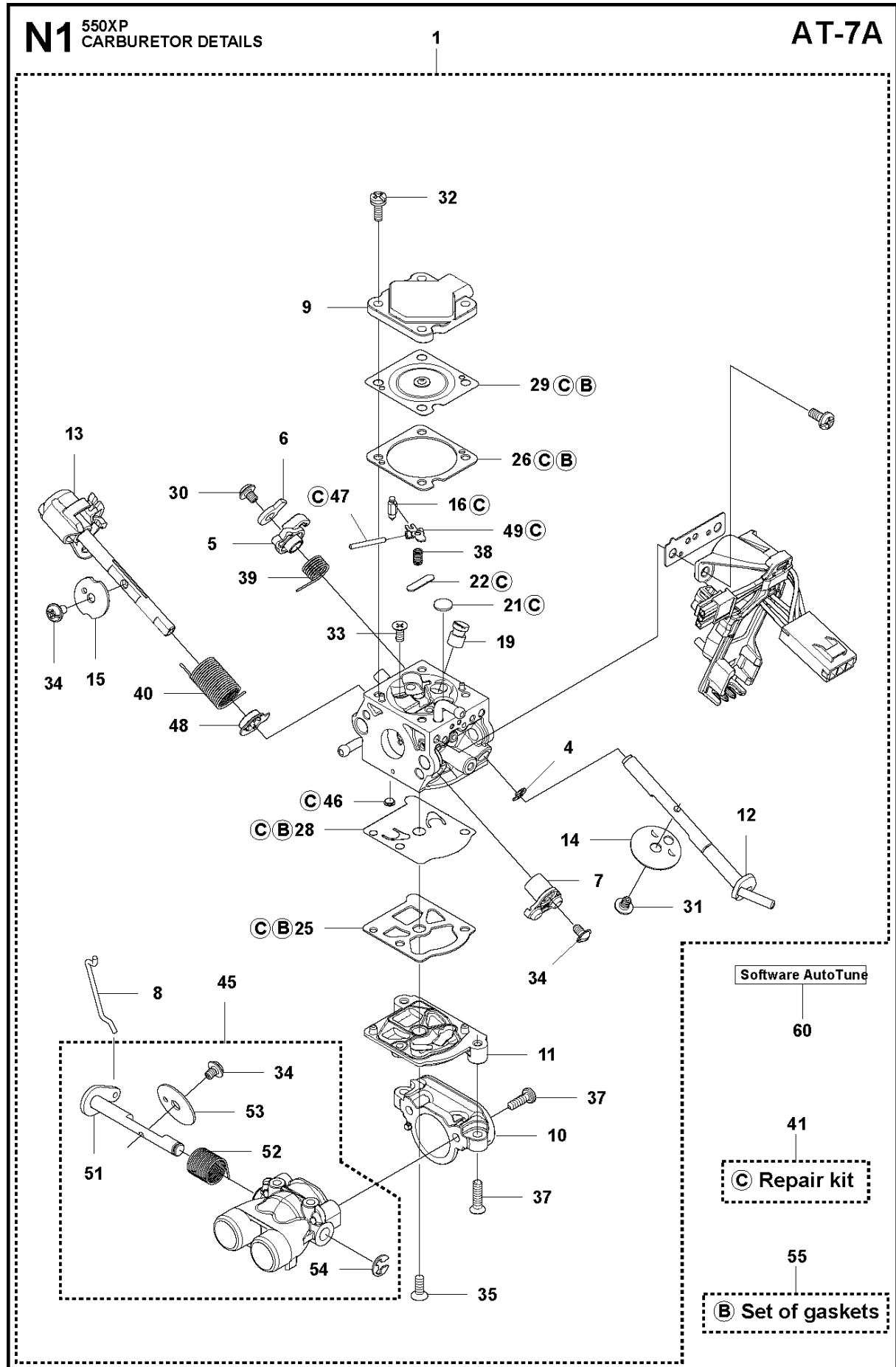
**M** 550 XP, 550 XPG  
STARTER



## STARTER

550 XP/XPG

| Ref | Part No      | Description          | Remark | QTY | KIT |
|-----|--------------|----------------------|--------|-----|-----|
| 1   | 522 79 62-01 | AIR CONDUCTOR        |        | 1   |     |
| 2   | 576 35 66-01 | SCREW ITXSCT         |        | 1   | 7   |
| 3   | 505 15 81-01 | STARTER PULLEY ASSY  |        | 1   | 7   |
| 4   | 505 30 51-25 | STARTER CORD         |        | 1   | 7   |
| 5   | 525 88 74-01 | SCREW CITXPANT       |        | 2   | 7   |
| 6   | 505 15 79-01 | SPRING CASSETTE ASSY |        | 1   | 7   |
| 7   | 588 41 51-03 | STARTER ASSY         |        | 1   |     |
| 8   | 525 82 45-01 | SCREW CITXPANMO      |        | 4   | 7   |
| 9   | 588 41 50-01 | STARTER HOUSING      |        | 1   | 7   |
| 10  | 537 28 32-01 | SLEEVE               |        | 1   | 7,9 |
| 11  | 537 23 25-01 | STARTER HANDLE       |        | 1   | 7   |
| 12  | 523 08 32-03 | LABEL                | XP     | 1   |     |
| 12  | 523 08 32-04 | LABEL                | XPG    | 1   |     |

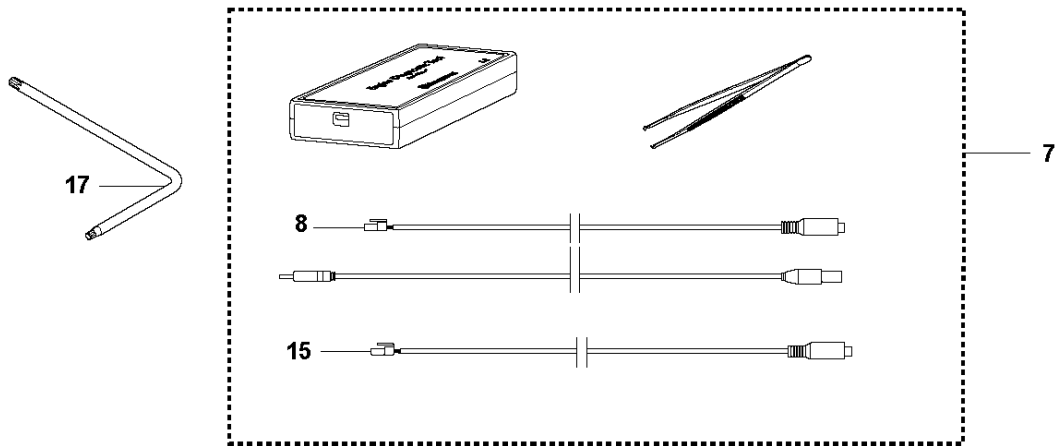
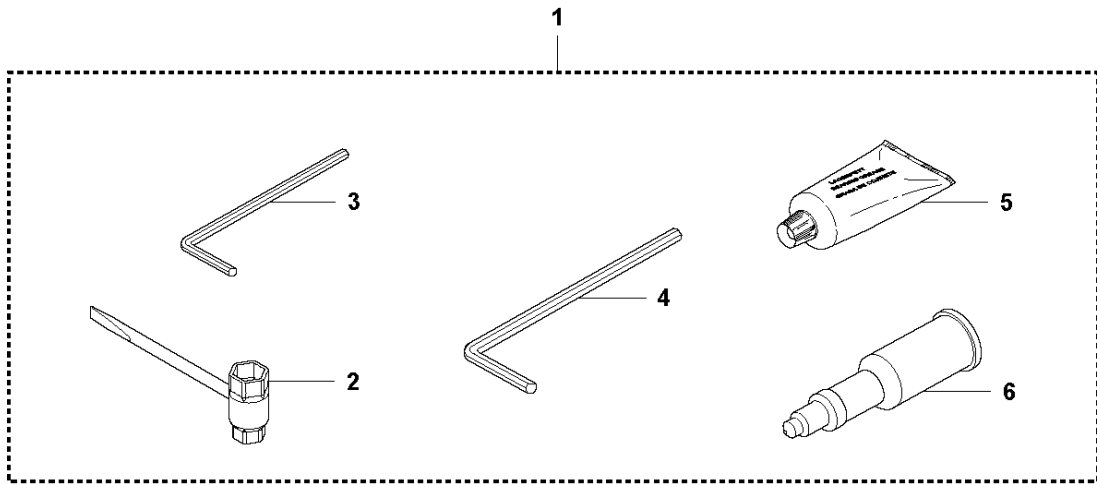


## CARBURETOR DETAILS

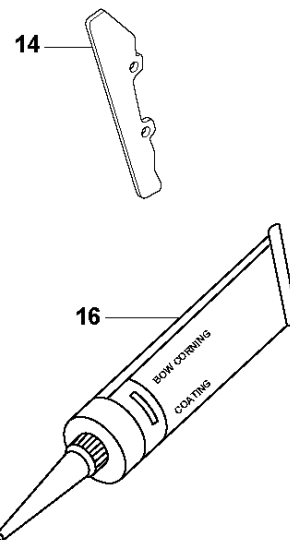
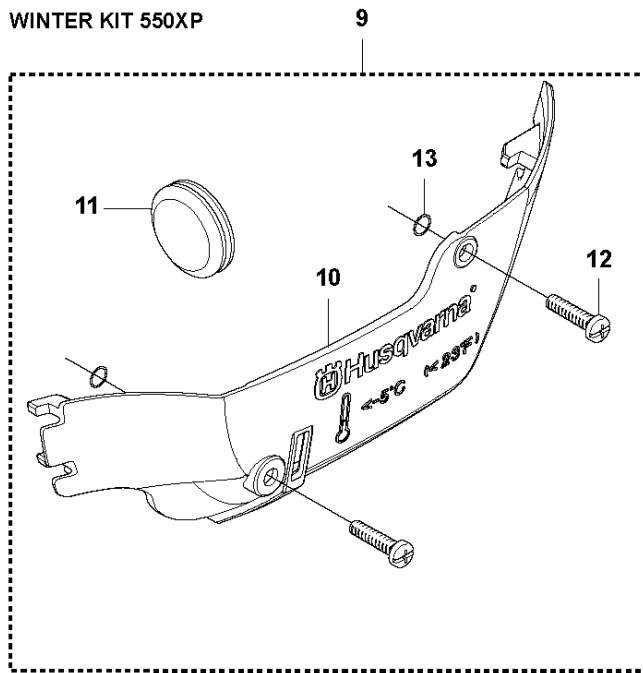
550 XP/XPG

| Ref | Part No      | Description         | Remark                                  | QTY | KIT |
|-----|--------------|---------------------|---|-----|-----|
| 4   | 577 26 29-01 | RETAINER            |   | 1   | 1   |
| 5   | 574 35 77-01 | LEVER               |   | 1   | 1   |
| 6   | 576 61 85-01 | LEVER               |   | 1   | 1   |
| 7   | 577 21 92-01 | THROTTLE LEVER ASSY |   | 1   | 1   |
| 8   | 574 35 79-01 | LINK                |   | 1   | 1   |
| 9   | 574 35 81-01 | COVER               |   | 1   | 1   |
| 10  | 575 79 48-01 | INLET               |   | 1   | 1   |
| 11  | 575 79 47-01 | COVER               |   | 1   | 1   |
| 12  | 574 35 84-01 | SHAFT ASSY          |   | 1   | 1   |
| 13  | 574 35 82-01 | SHAFT               |   | 1   | 1   |
| 14  | 574 35 85-01 | VALVE               |   | 1   | 1   |
| 15  | 574 35 75-01 | VALVE               |   | 1   | 1   |
| 16  | 503 56 34-01 | NEEDLE VALVE        |   | 1   | 1   |
| 19  | 576 61 88-01 | NOZZLE ASSY         |   | 1   | 1   |
| 21  | 504 79 08-01 | PLUG                |   | 1   | 1   |
| 22  | 502 84 69-01 | PLUG                |   | 1   | 1   |
| 25  | 504 13 09-06 | GASKET              |   | 1   | 1   |
| 26  | 574 35 86-01 | GASKET              |   | 1   | 1   |
| 28  | 577 01 66-01 | DIAPHRAGM           |   | 1   | 1   |
| 29  | 574 35 88-01 | DIAPHRAGM ASSY      |   | 1   | 1   |
| 30  | 501 46 87-01 | SCREW               |   | 1   | 1   |
| 31  | 537 00 34-01 | SCREW               |   | 1   | 1   |
| 32  | 537 00 31-01 | SCREW               |   | 4   | 1   |
| 33  | 502 84 71-01 | SCREW               |   | 1   | 1   |
| 34  | 544 11 15-01 | SCREW               |   | 2   | 1   |
| 35  | 574 35 90-01 | SCREW               |   | 1   | 1   |
| 37  | 576 61 89-01 | SCREW               |   | 4   | 1   |
| 38  | 503 56 24-01 | SPRING              |   | 1   | 1   |
| 39  | 574 35 93-01 | SPRING              |   | 1   | 1   |
| 40  | 574 35 94-01 | SPRING              |   | 1   | 1   |
| 41  | 577 66 61-01 | REPAIR KIT          |   | 1   |     |
| 45  | 579 32 31-01 | THROTTLE VALVE ASSY |   | 1   | 1   |
| 46  | 501 66 61-01 | SCREEN              |   | 1   | 1   |
| 47  | 505 52 01-25 | PIN                 |   | 1   | 1   |
| 48  | 574 35 96-01 | BUSHING             |   | 1   | 1   |
| 49  | 502 84 74-01 | LEVER               |   | 1   | 1   |
| 51  | 574 35 74-01 | SHAFT ASSY          |   | 1   | 1   |
| 52  | 574 35 76-01 | SPRING              |   | 1   | 1   |
| 53  | 576 61 90-01 | VALVE               |   | 1   | 1   |
| 54  | 505 31 67-36 | RING                |   | 1   | 1   |
| 55  | 576 66 65-01 | GASKET KIT          |   | 1   |     |
| 60  | .            | TBD                 | Download from your local<br>supportsite |     |     |

**P** 550XP  
ACCESSORIES



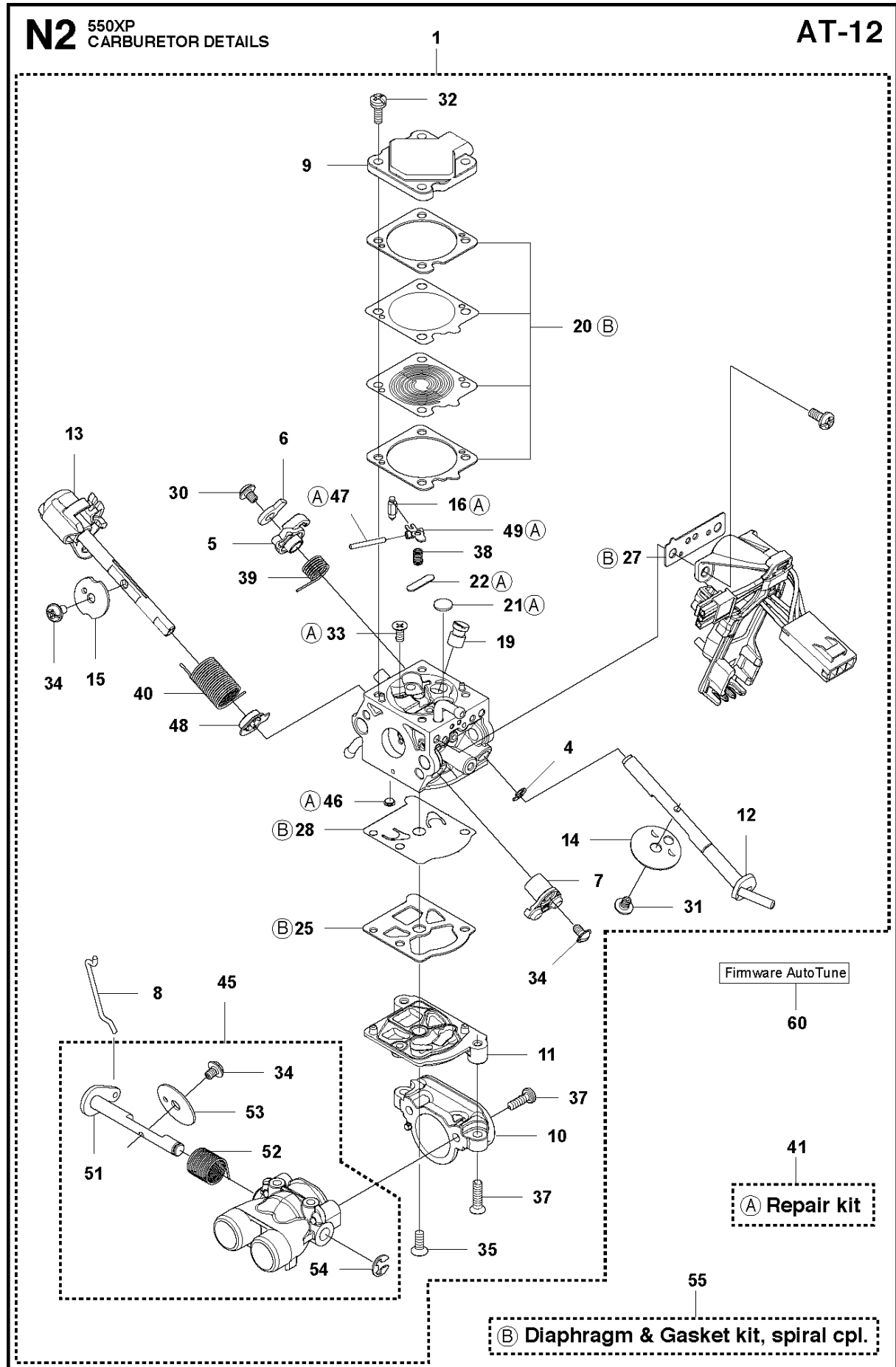
WINTER KIT 550XP



## ACCESSORIES

550 XP/XPG

| Ref | Part No      | Description         | Remark                  | QTY | KIT |
|-----|--------------|---------------------|-------------------------|-----|-----|
| 1   | 575 43 92-01 | TOOL                |                         | 1   |     |
| 2   | 522 52 11-01 | COMBINATION WRENCH  |                         | 1   | 1   |
| 3   | 503 55 86-01 | SPANNER             |                         | 1   | 1   |
| 4   | 503 55 86-02 | SPANNER             |                         | 1   | 1   |
| 5   | 503 62 12-01 | GREASE              |                         | 1   | 1   |
| 6   | 501 91 14-01 | GREASE GUN          |                         | 1   | 1   |
| 7   | 583 89 71-01 | DIAGNOSTIC TOOL KIT | Engine diagnostic tool  | 1   |     |
| 8   | 576 18 34-01 | CABLE ASSY          | Diagnostics cable       | 1   | 7   |
| 9   | 522 98 66-01 | WINTER KIT          |                         | 1   |     |
| 10  | 525 55 80-02 | WINTER COVER        |                         | 1   | 9   |
| 11  | 578 12 55-01 | WINTER PLUG         |                         | 1   | 9   |
| 12  | 503 21 70-16 | SCREW CCRPANT       |                         | 2   | 9   |
| 13  | 740 42 01-00 | O-RING              |                         | 2   | 9   |
| 14  | 577 88 72-01 | ENCLOSED KIT        |                         | 1   |     |
| 15  | 576 95 22-01 | CABLE ASSY          | Diagnostics cable 550XP | 1   | 7   |
| 16  | 503 26 72-01 | GLUE                |                         | 1   |     |
| 17  | 575 88 07-01 | WRENCH              | TORX T27/T20            | 1   |     |





## CARBURETOR DETAILS

550 XP/XPG

| Ref | Part No      | Description            | Remark                                  | QTY KIT |   |
|-----|--------------|------------------------|---|---------|---|
| 1   | 587 08 48-06 | CARBURETTOR KIT        | AT-12                                   | 1       |   |
| 4   | 577 26 29-01 | RETAINER               |   | 1       | 1 |
| 5   | 574 35 77-01 | LEVER                  |   | 1       | 1 |
| 6   | 576 61 85-01 | LEVER                  |   | 1       | 1 |
| 7   | 577 21 92-01 | THROTTLE LEVER ASSY    |   | 1       | 1 |
| 8   | 574 35 79-01 | LINK                   |   | 1       | 1 |
| 9   | 574 35 81-01 | COVER                  |   | 1       | 1 |
| 10  | 575 79 48-01 | INLET                  |   | 1       | 1 |
| 11  | 575 79 47-01 | COVER                  |   | 1       | 1 |
| 12  | 574 35 84-01 | SHAFT ASSY             |   | 1       | 1 |
| 13  | 574 35 82-01 | SHAFT                  |   | 1       | 1 |
| 14  | 574 35 85-01 | VALVE                  |   | 1       | 1 |
| 15  | 501 64 95-01 | THROTTLE VALVE         |   | 1       | 1 |
| 16  | 503 56 34-01 | NEEDLE VALVE           |   | 1       | 1 |
| 21  | 504 79 08-01 | PLUG                   |   | 1       | 1 |
| 22  | 586 49 71-01 | PLUG                   |   | 1       | 1 |
| 25  | 504 13 09-06 | GASKET                 |   | 1       | 1 |
| 19  | 576 61 88-01 | NOZZLE ASSY            |   | 1       | 1 |
| 20  | 582 36 64-01 | GASKET KIT             |   | 1       | 1 |
| 27  | 574 35 87-01 | GASKET                 |   | 1       | 1 |
| 28  | 577 01 66-01 | DIAPHRAGM              |   | 1       | 1 |
| 30  | 501 46 87-01 | SCREW                  |   | 1       | 1 |
| 31  | 537 00 34-01 | SCREW                  |   | 1       | 1 |
| 32  | 537 00 31-01 | SCREW                  |   | 4       | 1 |
| 33  | 502 84 71-01 | SCREW                  |   | 1       | 1 |
| 34  | 544 11 15-01 | SCREW                  |   | 2       | 1 |
| 35  | 574 35 90-01 | SCREW                  |   | 1       | 1 |
| 37  | 576 61 89-01 | SCREW                  |   | 4       | 1 |
| 38  | 503 56 24-01 | SPRING                 |   | 5       | 1 |
| 39  | 574 35 93-01 | SPRING                 |   | 1       | 1 |
| 40  | 574 35 94-01 | SPRING                 |   | 1       | 1 |
| 41  | 582 36 62-01 | REPAIR KIT             |   | 1       |   |
| 45  | 579 32 31-01 | THROTTLE VALVE ASSY    |   | 1       | 1 |
| 46  | 501 66 61-01 | SCREEN                 |   | 1       | 1 |
| 47  | 505 52 01-25 | PIN                    |   | 1       | 1 |
| 48  | 574 35 96-01 | BUSHING                |   | 1       | 1 |
| 49  | 501 64 96-01 | LEVER                  |   | 1       | 1 |
| 51  | 586 76 74-01 | SHAFT ASSY             |   | 1       | 1 |
| 52  | 574 35 76-01 | SPRING                 |   | 1       | 1 |
| 53  | 576 61 90-01 | VALVE                  |   | 1       | 1 |
| 54  | 505 31 67-36 | RING                   |   | 1       | 1 |
| 55  | 582 36 65-01 | DIAPHRAGM & GASKET KIT |   | 1       |   |
| 60  | .            | TBD                    | Download from your local<br>supportsite |         |   |